

# Sure Sampler Fitting

**S<sup>2</sup>**  
FITTING

## High Quality Oil Sampling Fittings



**It is an old cliché, but absolutely true, that an analysis is no better than the sample!**

The new Weidmann Sure Sampler assures that you will get a representative sample of oil from your transformer. The Sure Sampler provides leak proof sealing and is designed to take samples from the outlet end of the main drain valve, which is the recommended sampling location. The device can be permanently installed on a transformer drain valve or can be moved from transformer to transformer.

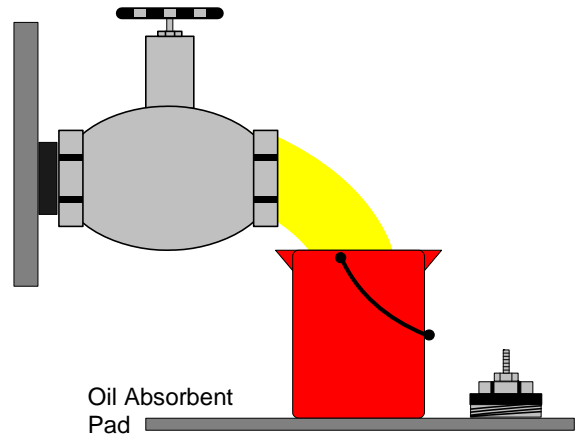
Sure Sampler meets or exceeds ASTM 3613 sampling requirements.



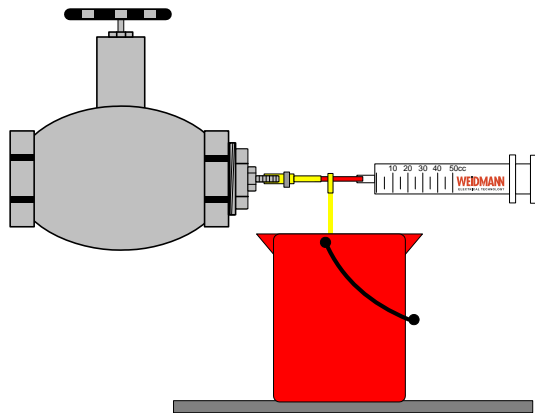
Made from CDA 360 brass bar stock. Designed to be installed in the outlet end of 1" and 2" drain valves. Includes recessed barb fitting, Vibra Seal thread sealant and gasketed screw on cap.

For more information about our Diagnostic Services and Monitoring Products, contact Weidmann Diagnostic Solutions at 916-455-2284 or 800-811-2284, by e-mail to [diagnostics.wds@wicor.com](mailto:diagnostics.wds@wicor.com) or visit our website at [www.weidmann-diagnostics.com](http://www.weidmann-diagnostics.com)

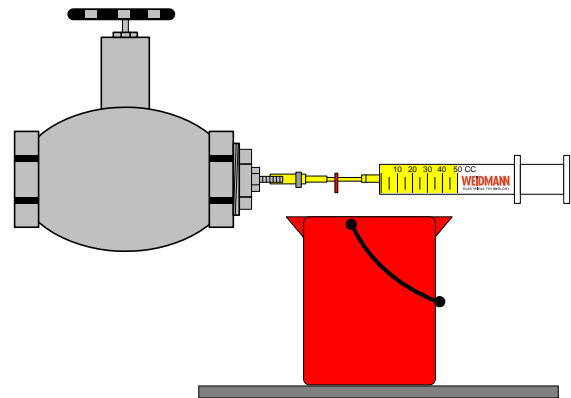
The Weidmann Sure Sampler Fitting makes taking oil samples fast and easy.



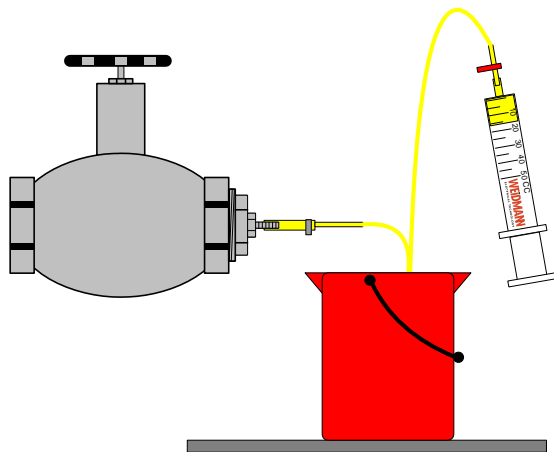
**STEP 1: Flush Main Valve**



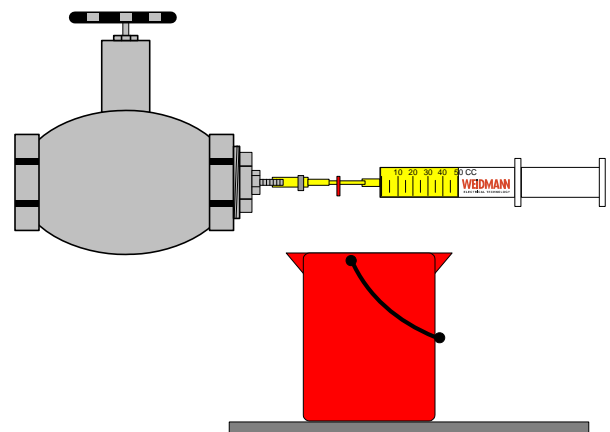
**STEP 2: Flush Sampler Valve, Three-Way Valve and Tubing**



**STEP 3: Wet Syringe**



**STEP 4: Evacuate Air Bubble**



**STEP 5: Take DGA Sample**